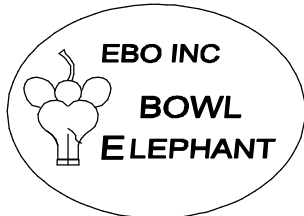
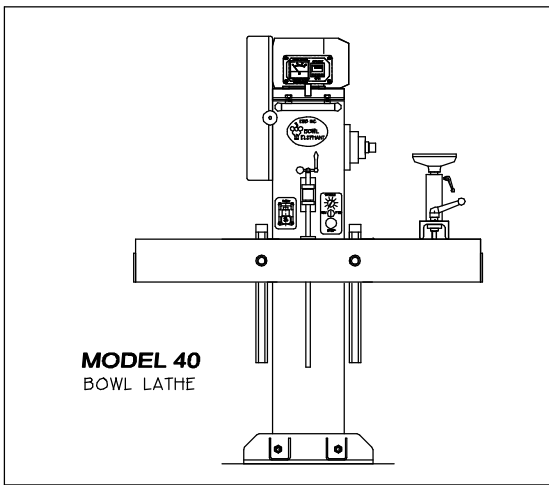
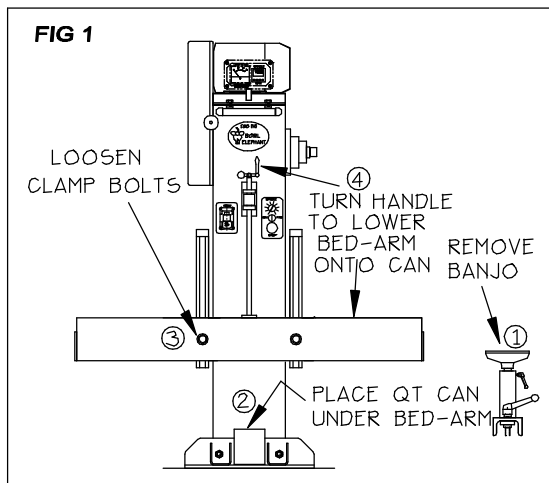
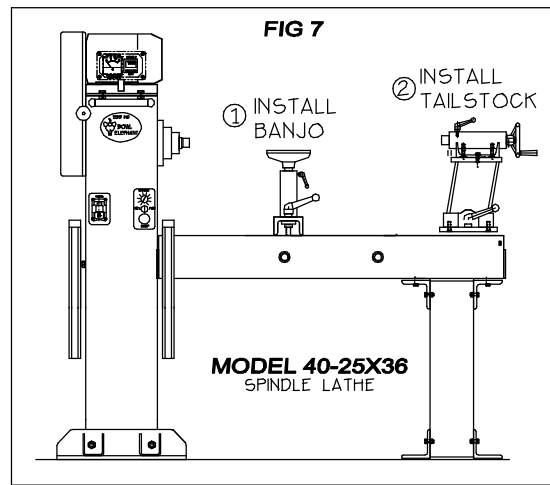


STEPS FROM BOWL LATHE TO SPINDLE LATHE



CONVERTABLE PEDESTAL LATHE
BOWL TO SPINDLE LATHE



NOTE
MODEL 40-25X36 IS
A MODEL 40 WITH
A TAILSTOCK + STAND

